

SC7 Serials Water Meter

Product Description

Direct reading ultrasonic water meter is used for measuring, storage and display water flow.
Nominal Diameter: DN15~DN300.



Application range: Tap-water pipe net system

Product Features

- ◆ Low starting flow rate, minimum flow rate 1/3 of traditional water meter.
- ◆ Water temperature detection, low temperature alarm.
- ◆ No moving part, no wear, long term stable operation.
- ◆ Above 10 years shelf life.
- ◆ Installation at any angel, no influence for measurement accuracy.
- ◆ Ultrasonic signal quality detection.
- ◆ Photosensitive button, IP 68 design, longtime under water working.
- ◆ Support optical, RS485 and wired & wireless M-bus communication interfaces.
- ◆ Complies to MODBUS RTU and EN 13757 communication protocol.
- ◆ Compile to drinkable water standard requirement.

Key Technology Point

IP68

IP 68 grade



Multiple communication options



Low starting flow rate

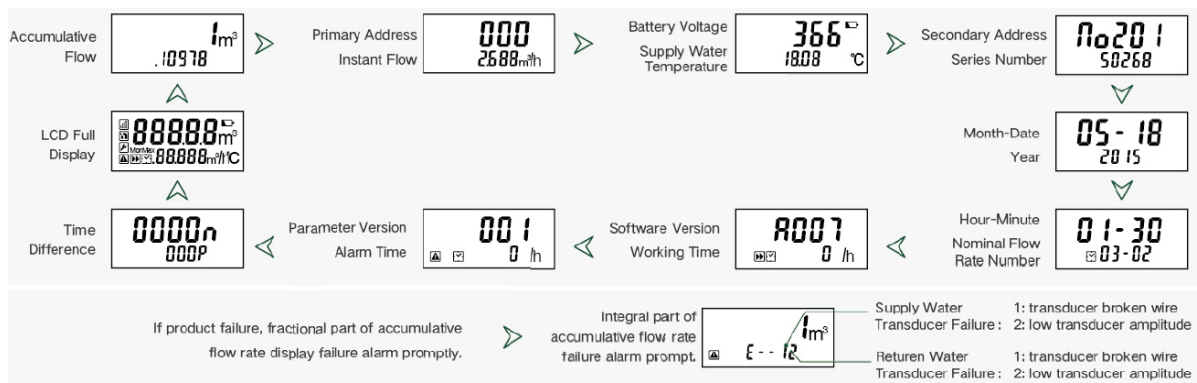


>10 years shelf life

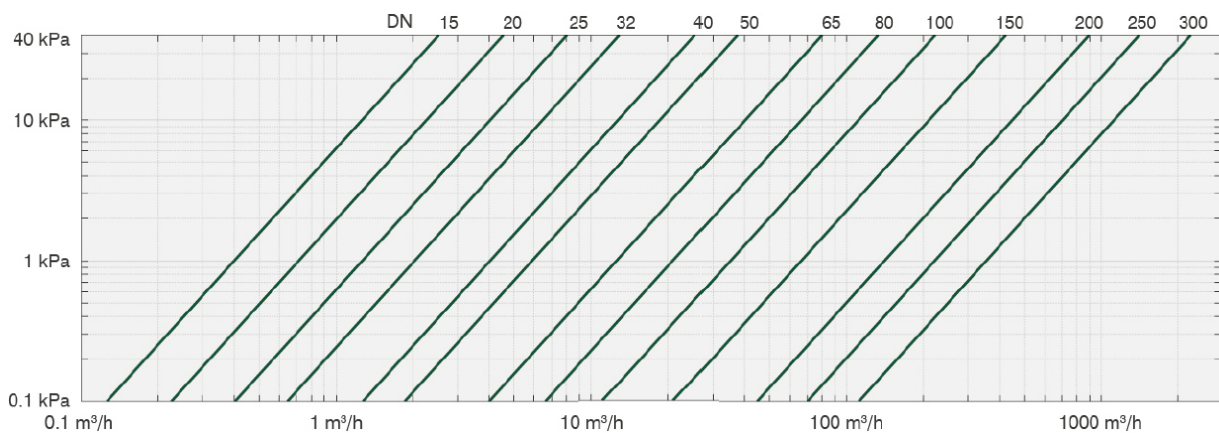


Drinkable water meter

Display Description (Residential)



Pressure Loss Curve

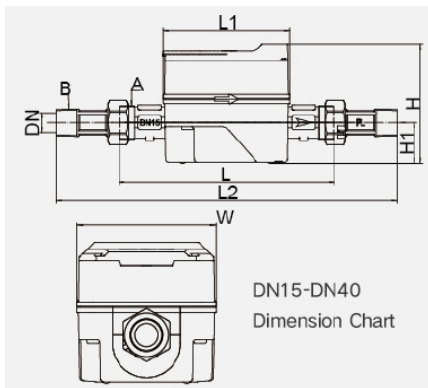


Technical Parameter

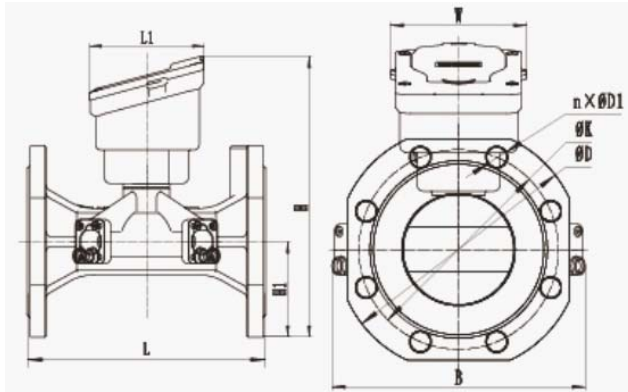
Nominal Diameter DN (mm)	15	20	25	32	40
Nominal Diameter Q3 (m ³ /h)	2.5	4	6.3	10	16
Min flow rate Q1 (L/h)	10 6.25	16 10	25.2 15.8	40 25	64 40
Pressure loss class ΔP	63	63	40	40	40
Flow arte maximum reading (m ³)	99999.99999				
Accuracy class	Class 2				
Maximum working pressure	1.6MPa				
Temperature class	T30/T50/T70 optional				
IP grade	IP68				
Power supply	3.6V lithium battery				
Battery lifetime	≥ 10 years				
Environment & mechanical condition	Class C				
Electromagnetic compatibility	E1				
Heat (cooling) carrier	conduit is full charged with water				
Installation mode	at any angle				

Nominal Diameter DN (mm)	50	65	80	100	150	200	250	300
Nominal Diameter Q3 (m3/h)	25	40	63	100	250	400	630	1000
Min flow rate Q1 (L/h)	50	80	126	200	500	800	1260	2000
Pressure loss class ΔP	25							
Flow arte maximum reading (m3)	99999.99999							
Accuracy class	Class 2							
Maximum working pressure	1.6MPa							
Temperature class	T30/T50/T70 optional							
IP grade	IP68							
Power supply	3.6V lithium battery							
Battery lifetime	≥ 10 years							
Environment & mechanical condition	Class C							
Electromagnetic compatibility	E1							
Heat (cooling) carrier	conduit is full charged with water							
Installation mode	at any angle							

Dimension:



Nominal diameter DN (mm)	15	20	25	32	40
L (mm)	165	190	260	260	300
L1 (mm)	97	97	97	97	97
L2 (mm)	255				
H (mm)	91.00000				
H1 (mm)	31				
W (mm)	90				
Meter screw A (inch)	G 3/4B				
Coupling screw B (inch)	R1/2				



Nominal diameter DN (mm)	50	65	80	100	150	200	250	300
L (mm)	200	200	225	250	300	350	450	500
H (mm)	220	227	257	266	310	400	452	496
H1 (mm)	65	70	90	102.5	134	165	197	222
W (mm)	125	125	125	125	125	125	125	125
B (mm)	130	140	180	200	268	330	394	445
n x ØD1	4 x Ø18	4 x Ø18	8 x Ø18	8 x Ø18	8 x Ø22	12 x Ø22	12 x Ø26	12 x Ø26

